

# Self-operated Pressure Regulators



**OIL**

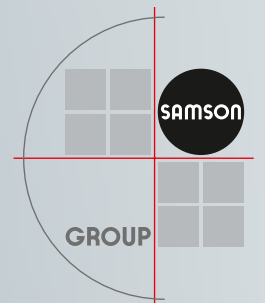
**STEAM**



**GAS**



**WATER**



# Type 41-23 Pressure Reducing Valve and Type 41-73 Excess Pressure Valve

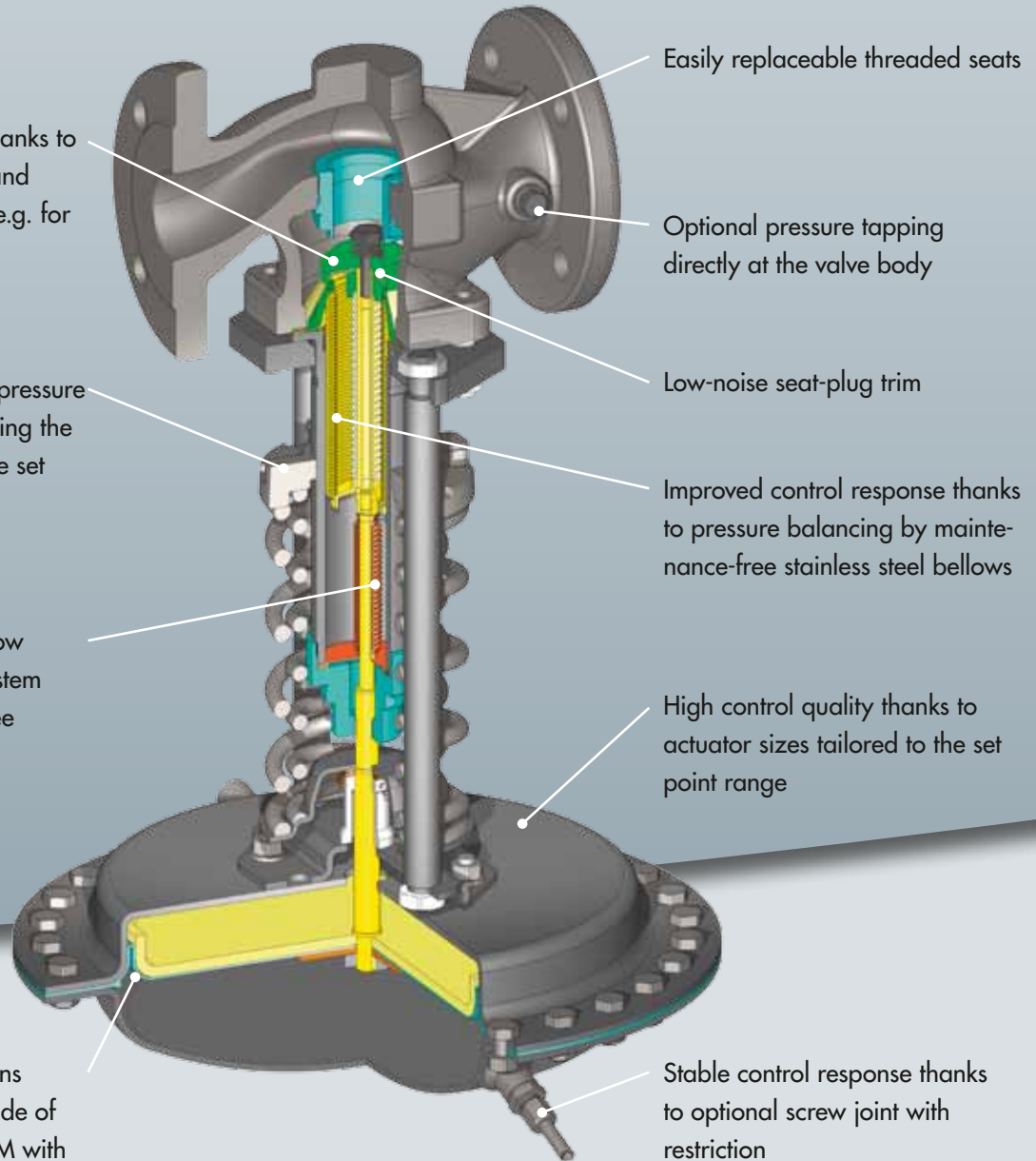
## Type 41-23

Good control behavior thanks to optimized characteristic and reduced  $K_{VS}$  coefficients, e.g. for high pressure drops

Simple adjustment of the pressure to be regulated by changing the spring compression on the set point adjuster

High leak tightness and low hysteresis thanks to plug stem seal with maintenance-free stainless steel bellows

Wide range of applications thanks to diaphragms made of EPDM, FPM, NBR or EPDM with PTFE coating



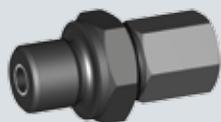
The Type 41-23 and Type 41-73 Pressure Regulators are suitable for liquids, gases and vapors. They do not need any auxiliary energy as the energy required to regulate is taken from the process medium. In steady state, the forces of the actuator and the set point spring are balanced. If this balance is disturbed, the actuator changes the position of the plug until a new equilibrium, i.e. the adjusted set point, is reached.

# Universal application

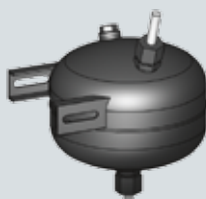


Regulator	Type 41-23 Pressure Reducing Valve	Type 41-73 Excess Pressure Valve
Versions	DIN, ANSI or JIS	
Set points	0.05 to 28 bar	
Nominal size	DN 15 to DN 100	
Perm. temperature range	-40 to 350 °C	
Max. perm. differential pressure	25 bar	
$K_{vs}$	0.001 to 125	0.1 to 125
$C_v$	0.0012 to 145	0.12 to 145
Body	Cast iron, spheroidal graphite iron, cast steel, stainless steel	
Diaphragm	EPDM, FPM, NBR, EPDM with PTFE coating	
Plug seal	Metal, EPDM, FPM, NBR, PTFE	

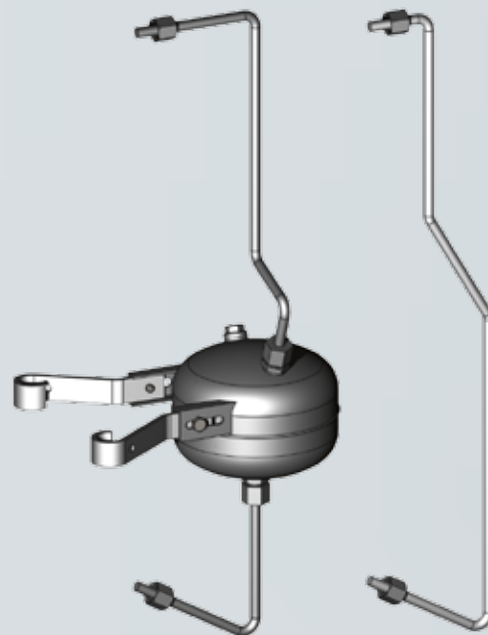
## Accessories



Screw joint with restriction for connection to the actuator's control line

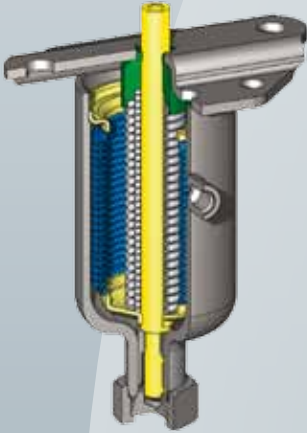


Intermediate tank for steam and medium temperatures exceeding 150 °C

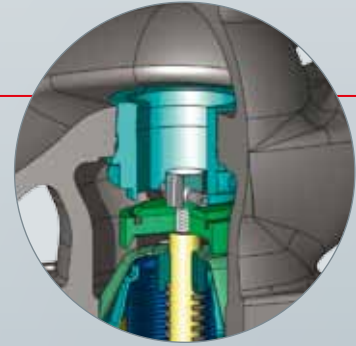


Quick mounting thanks to control line kits for pressure tapping at the valve body

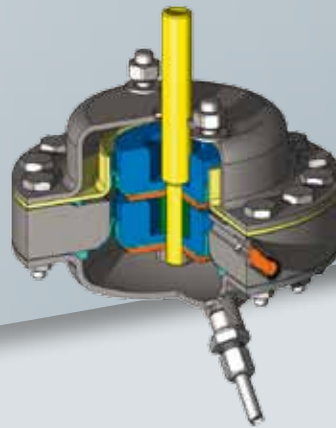
# Modular design allows for many options



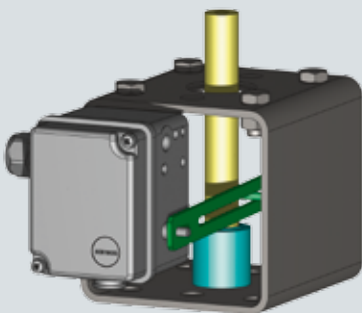
Metal bellows actuator for set points up to 28 bar, high temperatures and corrosive media



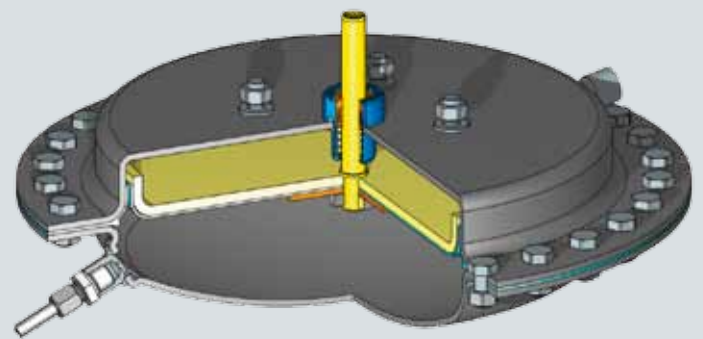
Soft seals made of EPDM, FPM or NBR for leakage class VI



Double diaphragm actuator with safety function for high plant availability

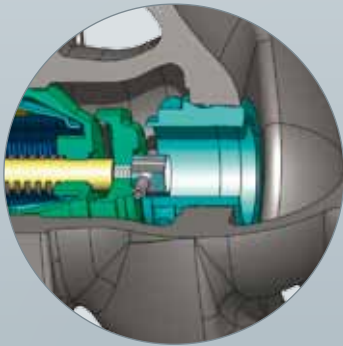


Position transmitter or limit switch for plant monitoring



Actuator with leakage line connection for critical media

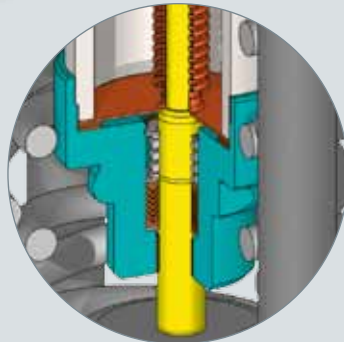




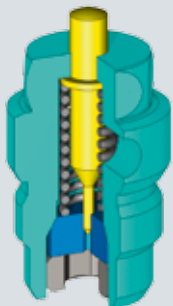
Special plug stem guiding for use in vertical pipelines



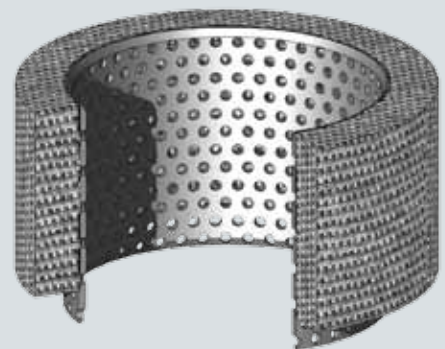
Protective sleeves, e.g. against erosion during sandstorms or against corrosion in offshore service



Backup stuffing box for critical media



Micro trims to regulate even the smallest flow rates



Flow dividers to reduce the noise emissions when regulating gases and vapors



SAMSON AG · MESS- UND REGELTECHNIK · Weismüllerstraße 3 · 60314 Frankfurt am Main · Germany  
Phone: +49 69 4009-0 · Fax: +49 69 4009-1507 · E-mail: samson@samson.de · Internet: www.samson.de  
SAMSON GROUP · www.samsongroup.de